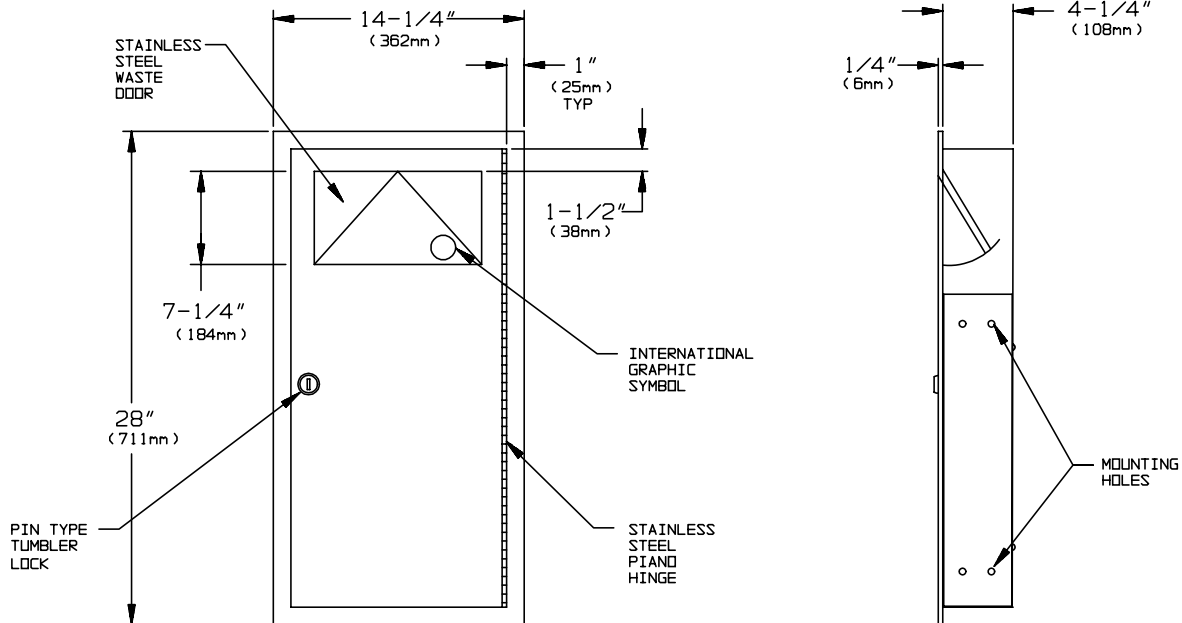


MODEL No: 04733

ISSUED: 1-87

REVISED: 9-04

## RECESSED WASTE RECEPTACLE



### **SPECIFICATION**

Recessed Waste Receptacle shall hold 3.1gal. (11.6 liters) of dry/solids waste and shall be fabricated of 22 gauge, type 304, 18-8 alloy stainless steel with N<sup>o</sup> 4 finish protected by a polyvinyl coating (PVC) easily removed after installation. Face trim shall be one piece construction with no mitres or welding, 1" wide and returning 1/4" to the wall. Cabinet shall have no exposed fastening devices or spot welded seams. Door shall be mounted on a 3/16" (5mm) dia. heavy duty multi-staked stainless steel piano hinge and shall be held closed with a tumbler lock keyed like other ASI equipment. Push door shall be provided with international graphic symbol identifying waste disposal. Interior waste can shall be fabricated of 26 gauge stainless steel and shall be easily removable for maintenance.

### **INSTALLATION**

Unit is mounted in wall recess through concealed mounting holes with N<sup>o</sup>10 self tapping screws (by others). For compliance with ADA Accessibility Guidelines, unit shall be installed so that center of waste door is 54" (1372mm) max. above finished floor (AFF) if clear floor side reach access is provided or 48" (1219mm) max. AFF if clear floor forward reach access only is provided, or 46" (1168mm) max. AFF if side reach over an obstruction only is provided (e.g.: vanity). For general utility install unit with bottom of unit 20" (510mm) AFF.

**Rough Wall Opening (RWO) required is.. 12-3/4"W x 26-1/2"H x 4"D min (324mm x 673mm x 102mm)**

### **OPERATION**

Users push door to deposit waste material. Push door is self-closing. Maintenance schedule determines waste removal cycle. Unit is emptied by unlocking door and removing waste container.