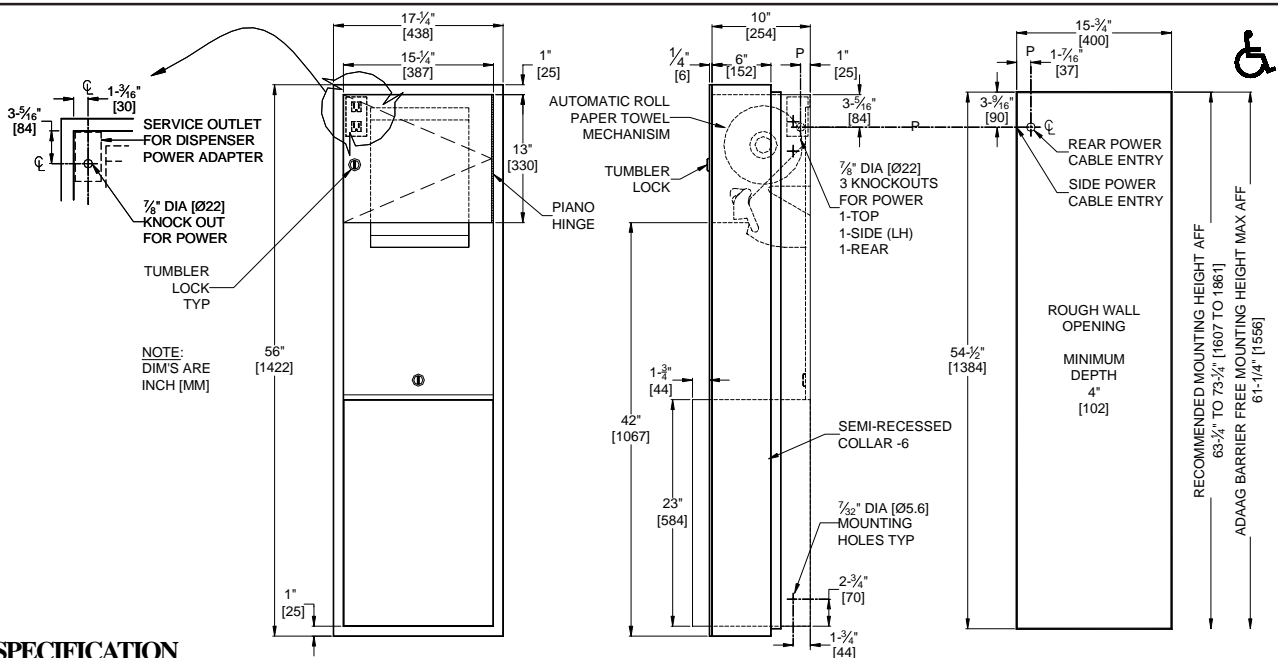


MODEL No: **04692AC-6**

ISSUED: 01-08

REVISED: 04-08

SEMI-RECESSED AUTOMATIC ROLL PAPER TOWEL DISPENSER AND WASTE RECEPTACLE



SPECIFICATION

Semi-Recessed Automatic Roll Paper Towel Dispenser and Waste Receptacle shall hold and dispense one 8" diameter (Ø203) x 8" wide (203) standard towel roll up to 800 ft. (244m) long and one 8" wide (203) stub roll up to 4" diameter (Ø102) and shall have a waste capacity of 17 gallons (64 liters). Dispenser shall be powered by C-UL-US and CE approved internal low-voltage adapter (supplied) using 110-240VAC, 50/60 Hz and providing output of 5VDC @ 1A and shall operate automatically to activate towel dispensing when hands are placed in sensor zone. Unit shall feed out a 12" (305) length of towel during each activation and shall have an internal tear-off bar for towel pull out. Cabinet, waste container and frame shall be fabricated of 22 gauge type 304 stainless steel alloy 18-8 and towel dispenser door shall be 18 gauge same grade. All exposed surfaces shall have N°4 satin finish protected by PVC film easily removed after installation. Door shall be attached to cabinet at side with a full-length 3/16" diameter (Ø 4.8) stainless steel multi-staked piano hinge and shall be held closed with a tumbler lock keyed alike to other ASI washroom equipment. Waste container shall have hemmed edges for safety and shall be retained by a tumbler lock keyed alike. Face trim shall be 1" (25.4) wide formed from one piece with no miters, welding or open seams and have 1/4" (6.4) square returns to wall. Structural assembly of all components shall be of welded construction. Cabinet shall have no exposed fastening devices or spot-welded seams.

INSTALLATION

Install unit in wall recess using N° 10 self-tapping screws (by others) through concealed mounting holes provided. Note that top of Rough Wall Opening (RWO) is 3/4" (19) below top of unit. For compliance with ADA Accessibility Guidelines, install unit so that bottom edge of towel dispenser door is 48" (1219) maximum above finished floor (MAX AFF). Power is supplied by code approved cable or conduit (by others) to RWO at any one of three [3] available locations indicated on diagram and terminated in utility simplex outlet box (provided) inside cabinet. Power required is 110-240VAC at 50/60 Hz protected by a 15A circuit breaker (by others) for low voltage adapter that draws ¼ Amp. Power adapter for dispenser unit is supplied cabled and plugged into dispenser and is plugged into simplex outlet (by others).

RWO required is 15-3/4" W x 54-1/2" H x 4" D minimum (400 x 1384 x 102)

OPERATION

Towels are dispensed one at a time automatically when hands are placed in sensor zone until supply is depleted. Unit may be reloaded with a full roll to automatically start when finished with an existing partial roll. Waste receptacle is emptied manually on cycle determined by maintenance needs. Locking compartment and receptacle retainer prevents unauthorized access and removal.