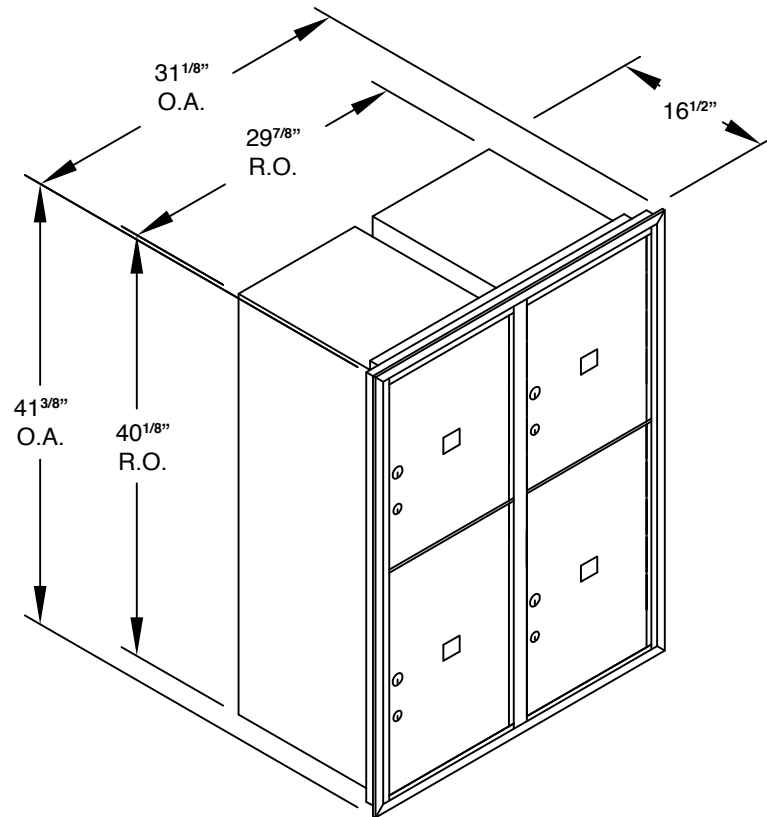


- (1) 3711D-4P - FRONT LOADING
- (2) PL5 PARCEL LOCKERS ( $17\frac{1}{4}"$  H)
- (2) PL6 PARCEL LOCKERS ( $20\frac{3}{4}"$  H)



- (1) 3711D-4P - REAR LOADING
- (2) PL5 PARCEL LOCKERS ( $17\frac{1}{4}''$  H)
- (2) PL6 PARCEL LOCKERS ( $20\frac{3}{4}''$  H)